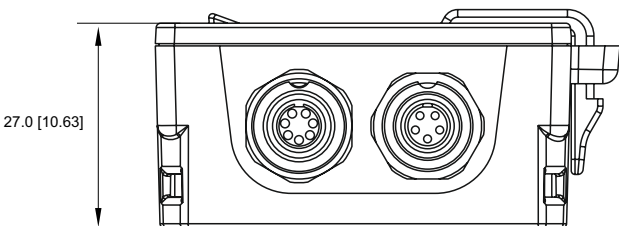
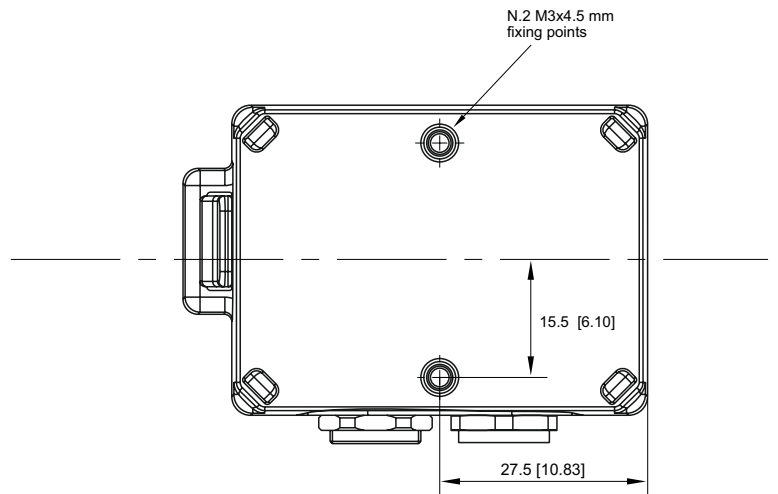
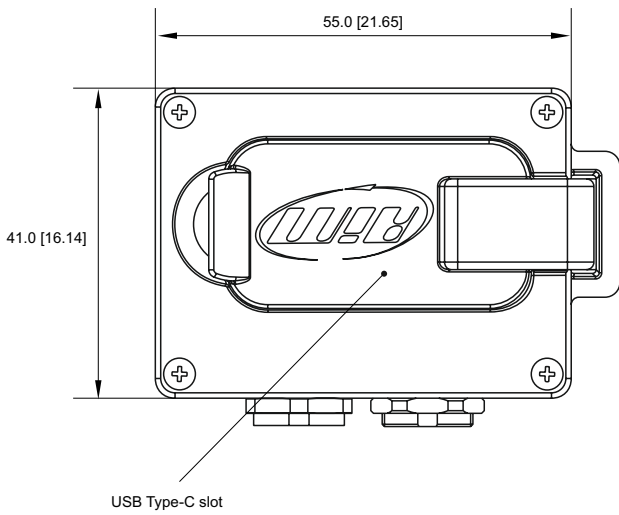




ECULog

Logger



Dimensions in mm [inches]



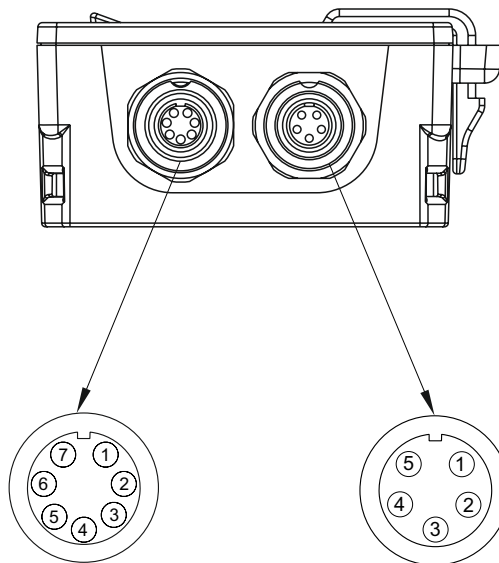
ECULog

Logger

Technical specifications

ECU connection	CAN, RS232 or K-Line
Expansions	GPS09c/GPS09c Pro, ACC2, LCU1S, SmartyCam 3 Series
External power	9÷15 V
Connectors	1 socket (Binder) 712, 5 pins 1 socket (Binder) 712, 7 pins 1 USB Type-C
Memory	4 GB + 16 GB removable USB-C memory card
Material	PA6 GS30%
Dimensions	61.4x44.7x27.2 mm
Weight	100 g approx.
Waterproof	IP67

Pinout



7 pins Binder 712 female
connector pinout
external view





5 pins Binder 712 female
connector pinout
external view

ECU Connector	
1	CAN ECU+
2	CAN ECU-
3	+Vbext
4	ECU RS232TX
5	ECU RS232RX
6	K-Line
7	GND

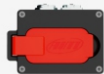



EXP Connector	
1	CAN+
2	GND
3	+Vbout
4	CAN-
5	+Vbext

Available kits



Kit 1 ECULog CAN RS 200

Description	Part number	The kit contains			
KIT ECULog CAN RS 200	X08ECULOGCRS200	ECULog 	Mini USB Drive 16 Gb 	CAN/RS232/Ext. Power 2 m cable 	USB 2.0 A-Type C-Type 2 m cable 

Kit 2 ECULog OBD 200

Description	Part number	The kit contains			
KIT ECULog OBD 200	X08ECULOGOBD200	ECULog 	Mini USB Drive 16 Gb 	CAN/OBDII/K Line/ Ext. Power 2 m cable 	USB 2.0 A-Type C-Type 2 m cable 

Optionals/Spare Parts

Description	Part number	
CAN/OBDII/K Line/ Ext. Power 2 m cable	V02589040	
CAN/RS232/Ext. Power 2 m cable	V02589050	
USB 2.0 A-Type C-Type 2 m cable	X90TMPC101010	
Mini USB Drive 16 GB	3IRUSBD16GB	