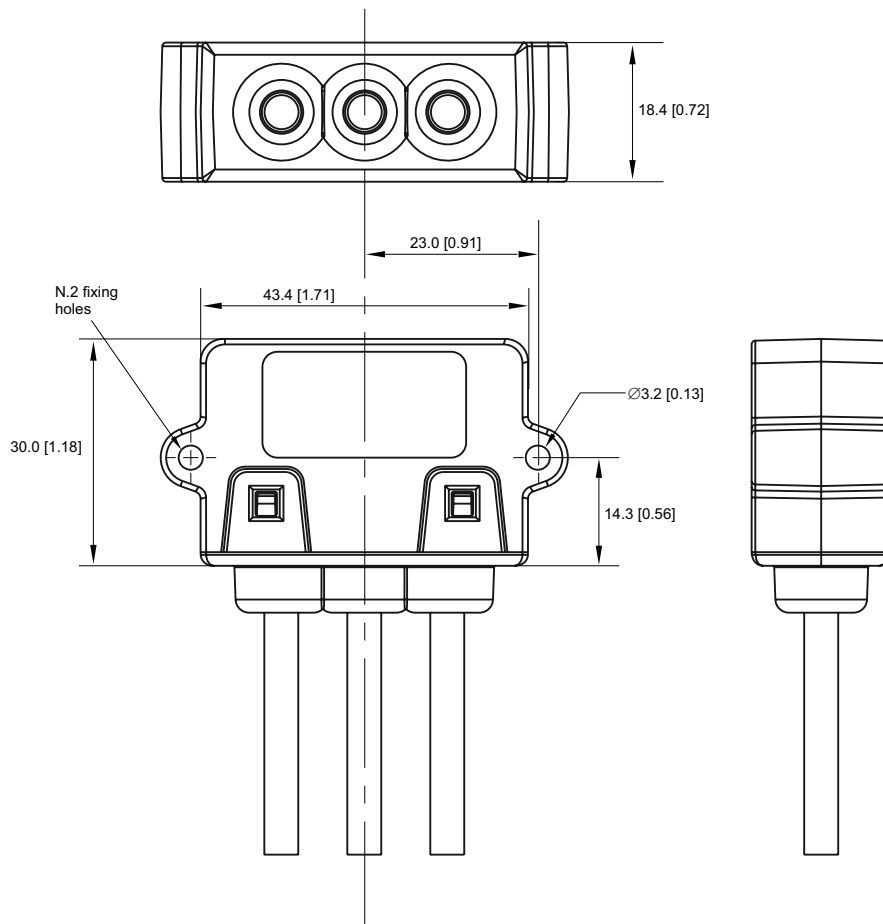




LCU1S Open

Lambda Controller Open version



Dimensions in mm [inches]



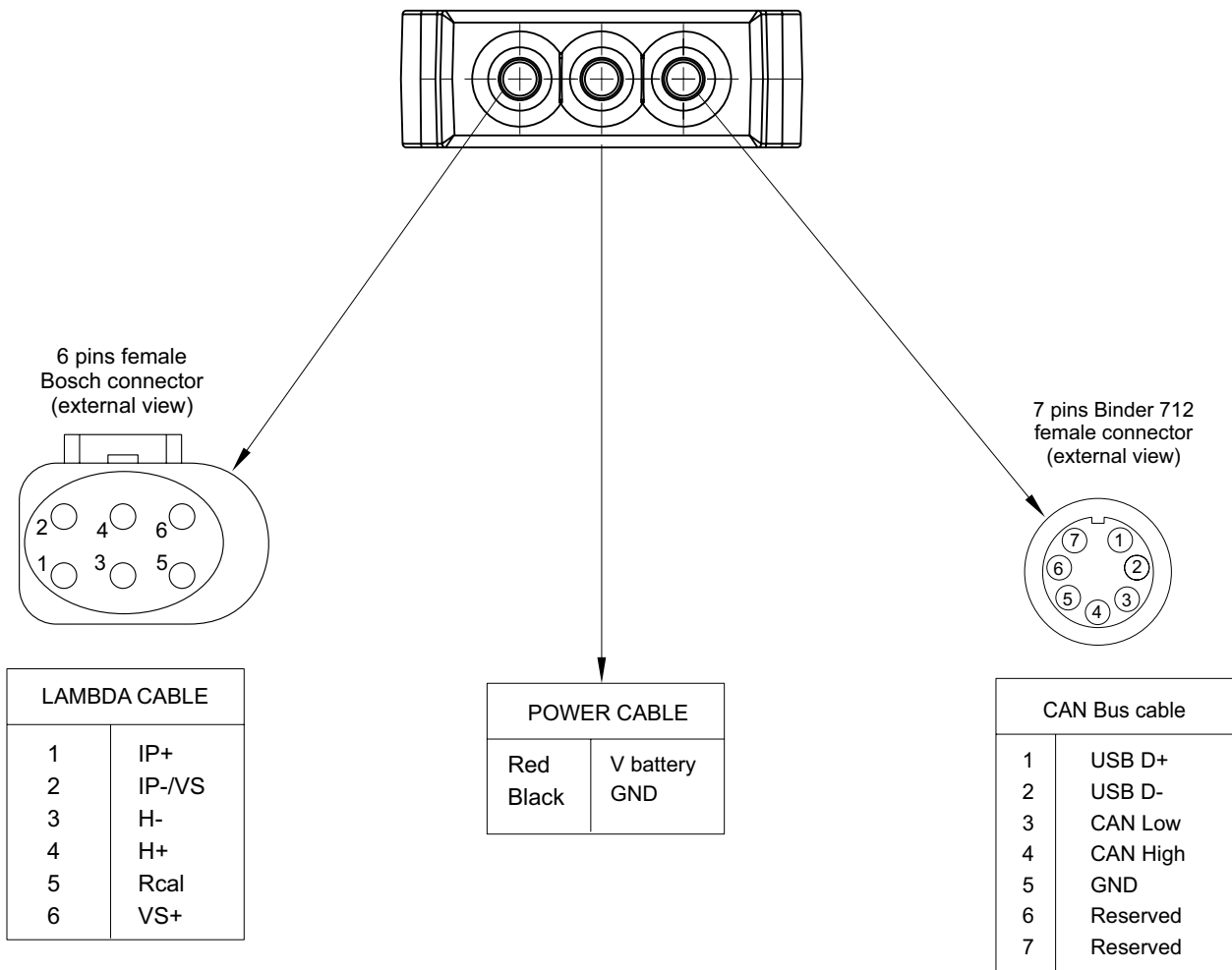
LCU1S Open

Lambda Controller Open version

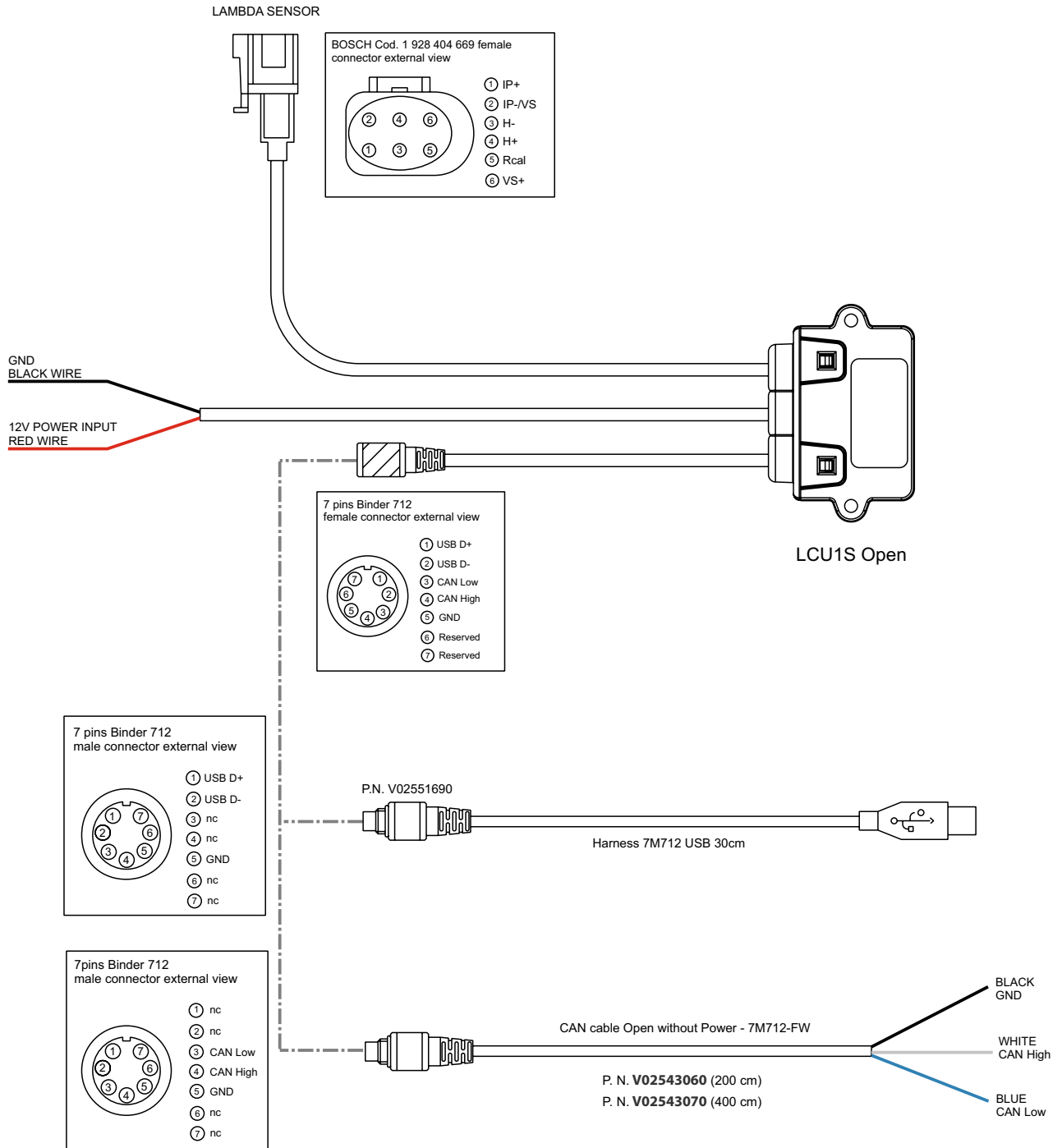
Technical specifications

Sensor compatibility	Bosch LSU 4.9
Power supply voltage	9÷15 V
Power supply current	50 mA + sensor heater typical current 750 mA up to 2 A on cold sensor
Reaction time	Less than 10 msec
Material	Latigloss 57
Dimensions	43.4 x 30 x 18.4 mm
Weight	70 g
Waterproof	IP67

Pinout



Connections



EXTERNAL POWER SUPPLY IS ALWAYS REQUIRED



LCU1S Open

Lambda Controller Open version

Part numbers

X08LCU1SOC0	LCU1S Open no cable no Lambda probe
X08LCU1SOC200	LCU1S Open kit 1 (includes: LCU1S Open + CAN cable Open without Power - 7M712-FW 200 cm + BOSCH LSU 4.9 Lambda probe + Thread iron ring for installation)
X08LCU1SOC400	LCU1S Open kit 2 (includes: LCU1S Open + CAN cable Open without Power - 7M712-FW 400 cm+ BOSCH LSU 4.9 Lambda probe + Thread iron ring for installation)

Accessories/spare parts

X05LSU490	BOSCH LSU 4.9 Lambda probe
LBS552680	Thread iron ring for installation
V02543060	CAN cable Open without Power - 7M712-FW 200 cm
V02543070	CAN cable Open without Power - 7M712-FW 400 cm
V02551690	Harness 7M712 USB 30 cm